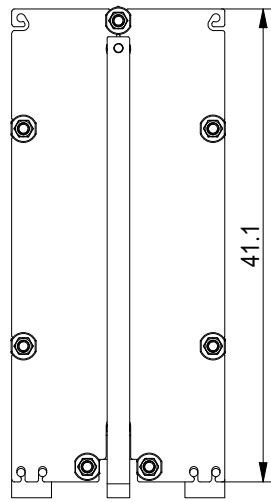
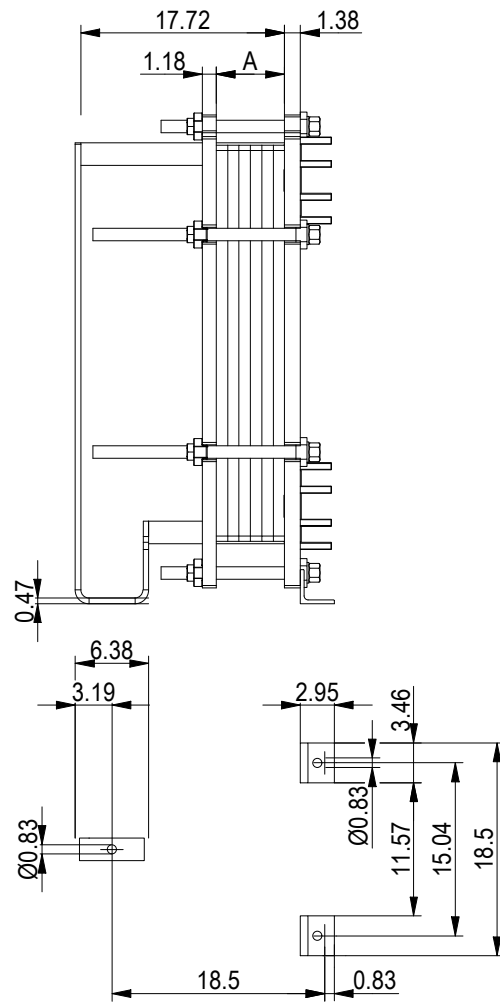


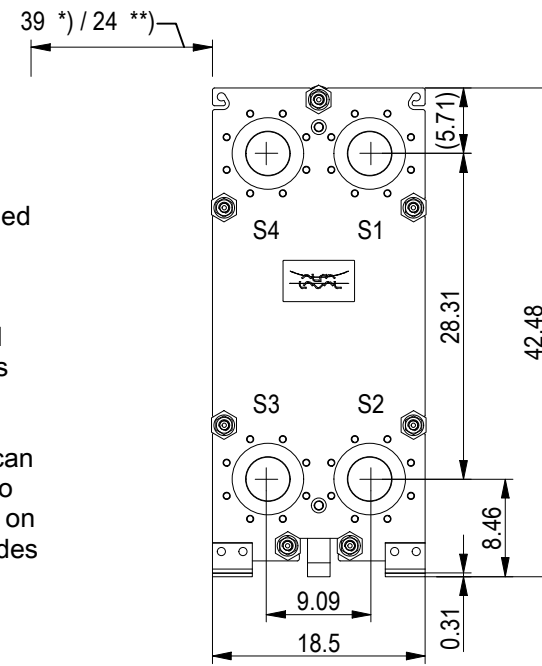
PRESSURE PLATE
(MOVABLE)



Space between pressure plate and supporting column should be kept free from fixed installations!

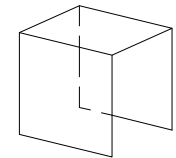
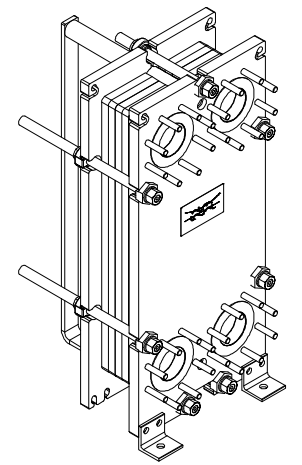


FRAME PLATE

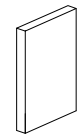


*) Recommended free space for opening and closing to be applied on both sides

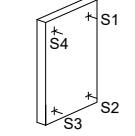
**) Free space can be reduced to this distance on one of the sides



PROTECTION SHEET



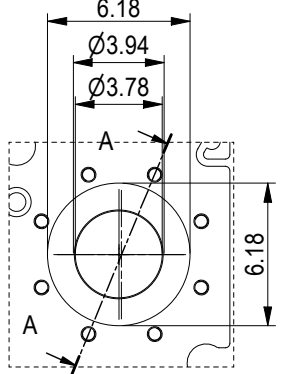
PRESSURE PLATE



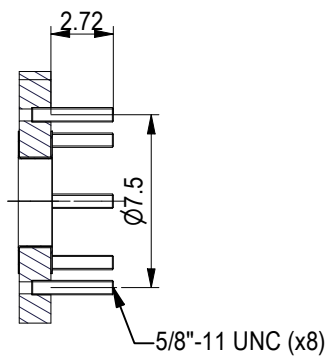
FRAME PLATE

ASME B16.5 Class 150 NPS 4

S1, S2, S3, S4



A-A:
ALLOY 316



TIGHTENING BOLTS 4 x M24, L = 12.9 in
3 x M24, L = 12.9 in

APPROX. OUTER DIMENSIONS
LENGTH 22.4 in
WIDTH 18.9 in
HEIGHT 41.3 in
APPROX. WEIGHTS
NET WEIGHT, EMPTY 601 lb
WEIGHT FULL OF WATER 645 lb
PLATE MATERIAL ALLOY 316
PLATE THICKNESS 0.5 mm
GASKET NBRP ClipGrip™

All dimensions in inches

| HEAT EXCHANGED | | 3,750 kBtu/h | | NO. OF UNITS | | 1 | | DESIGN PRESSURE | | DESIGN TEMPERATURE | | TEST | OPERATING |
|----------------|-------|--------------|-------|--------------|-------|-----------|------------|-----------------|-------|--------------------|---------|----------|------------|
| SIDE | MEDIA | INLET | TEMP. | OUTLET | TEMP. | FLOW RATE | PRES. DROP | MAX. | MIN. | MAX. | MIN. | PRESSURE | MAX. TEMP. |
| 1 | | S1 | MH | S2 | MH | | | 150 psi | 0 psi | 266 °F | 32.0 °F | 195 psi | |
| 2 | | S3 | ML | S4 | ML | | | 150 psi | 0 psi | 266 °F | 32.0 °F | 195 psi | |



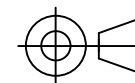
www.alfalaval.com

DRAWING
GASKETED PLATE HEAT EXCHANGER

T10-MFG

ASME
Code Section VIII Div.1

MAWP 150 psi at 266 °F
MDMT 32.0 °F at 150 psi
Designed and constructed in accordance with the 2019 ASME Code.



T10M 20 PL

Do not use this drawing for foundation bolting or piping layout

DATE 5/24/21
REVISION 0